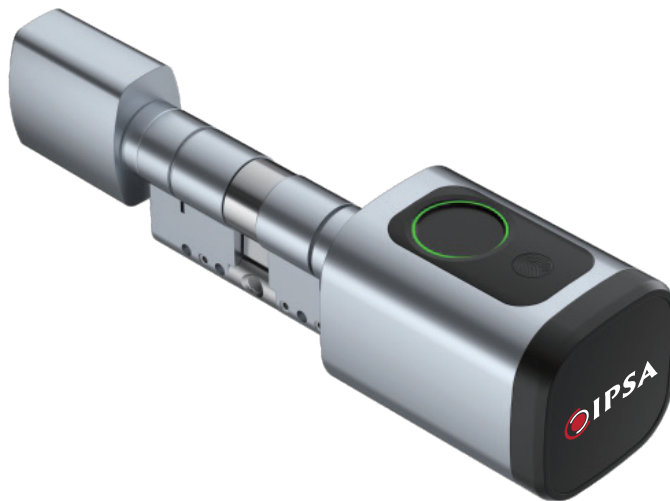


# Series 60

## Smart Cylinder

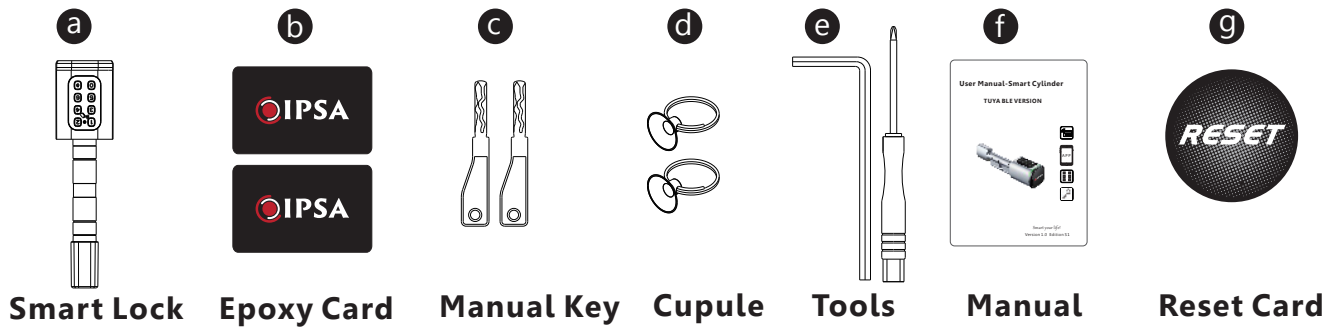
User Manual



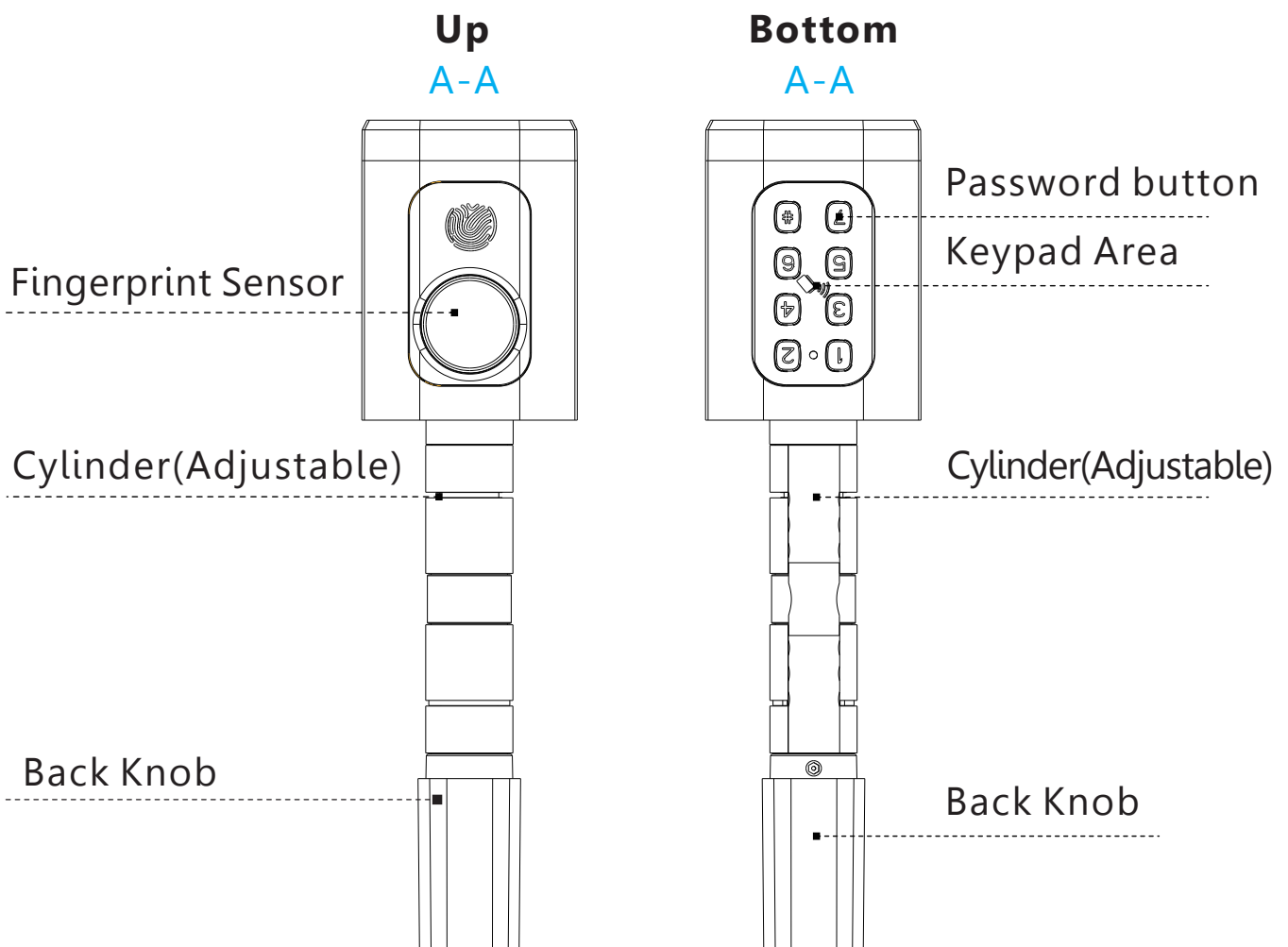
Smart your life!

## 1 Packing Accessories

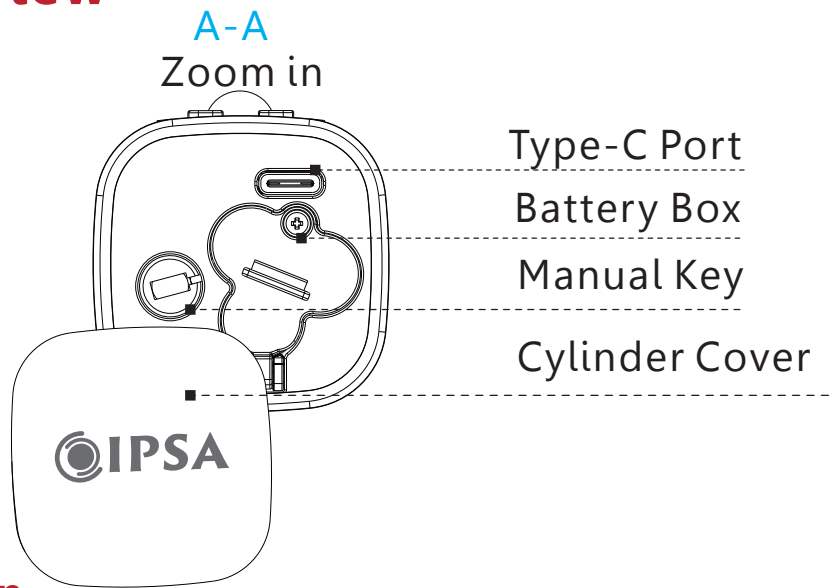
Please check the packing box and accessories when you got the item in hand.



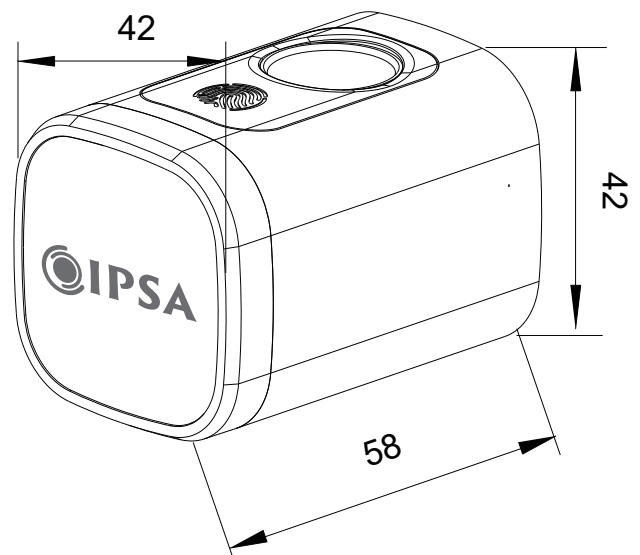
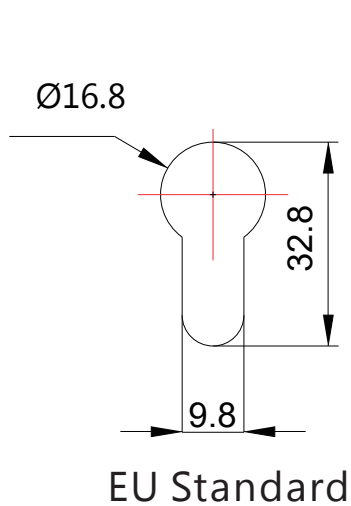
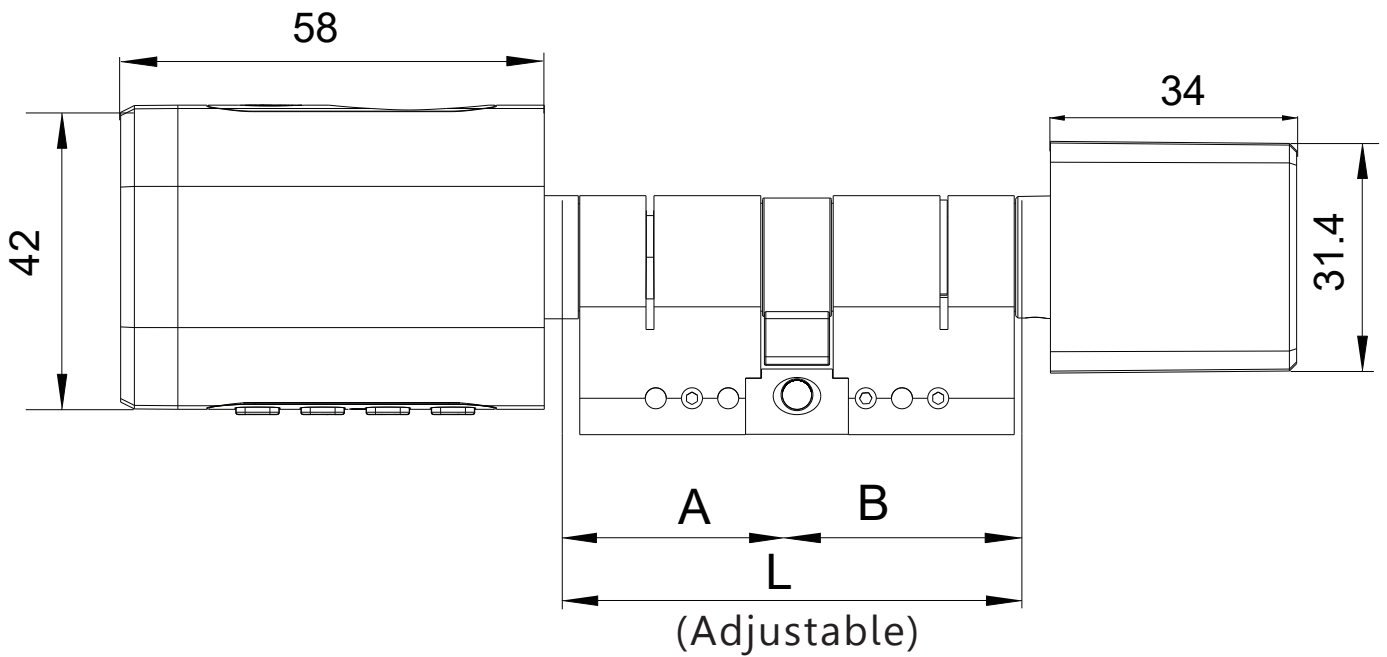
## 2 Product Specification



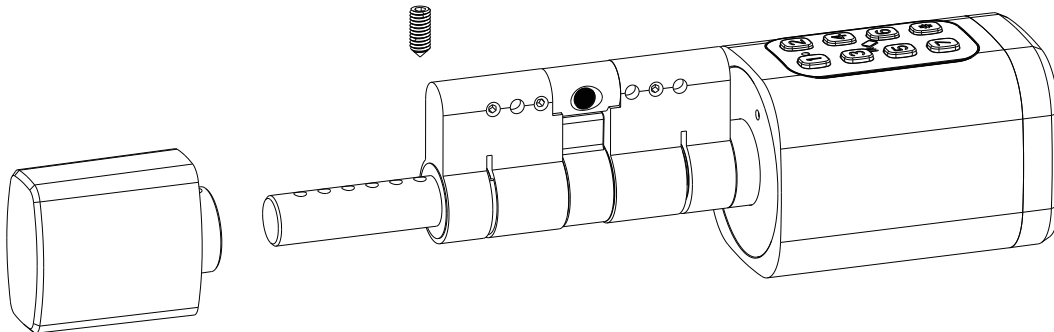
### 3 Reader View



### 4 Dimension

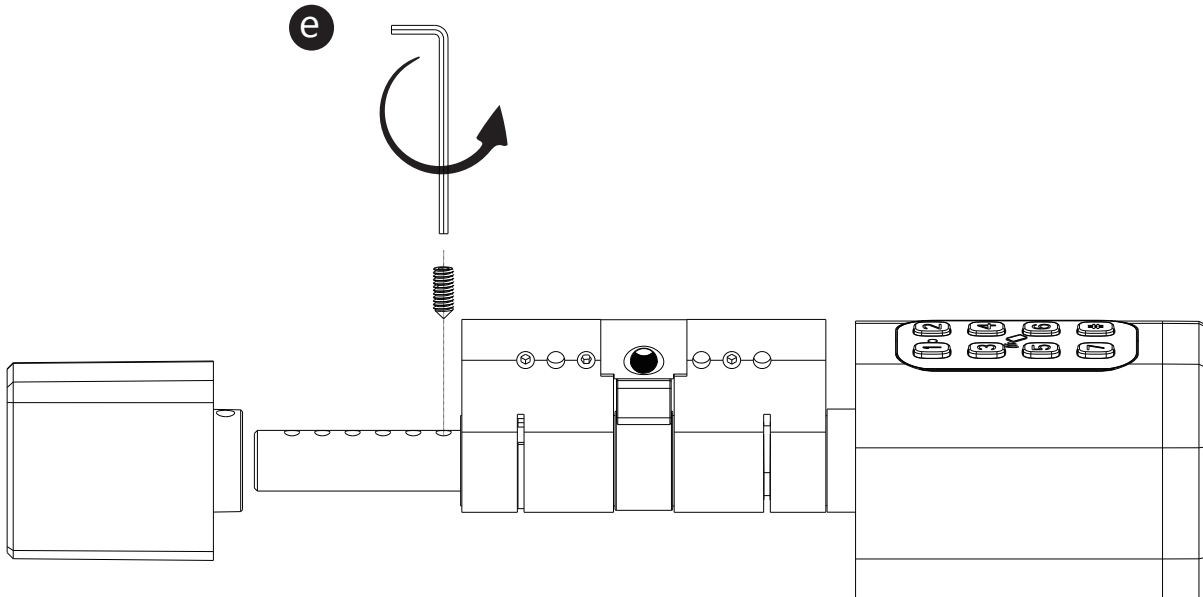


## 5 ACCESSORIES INSTALLATION



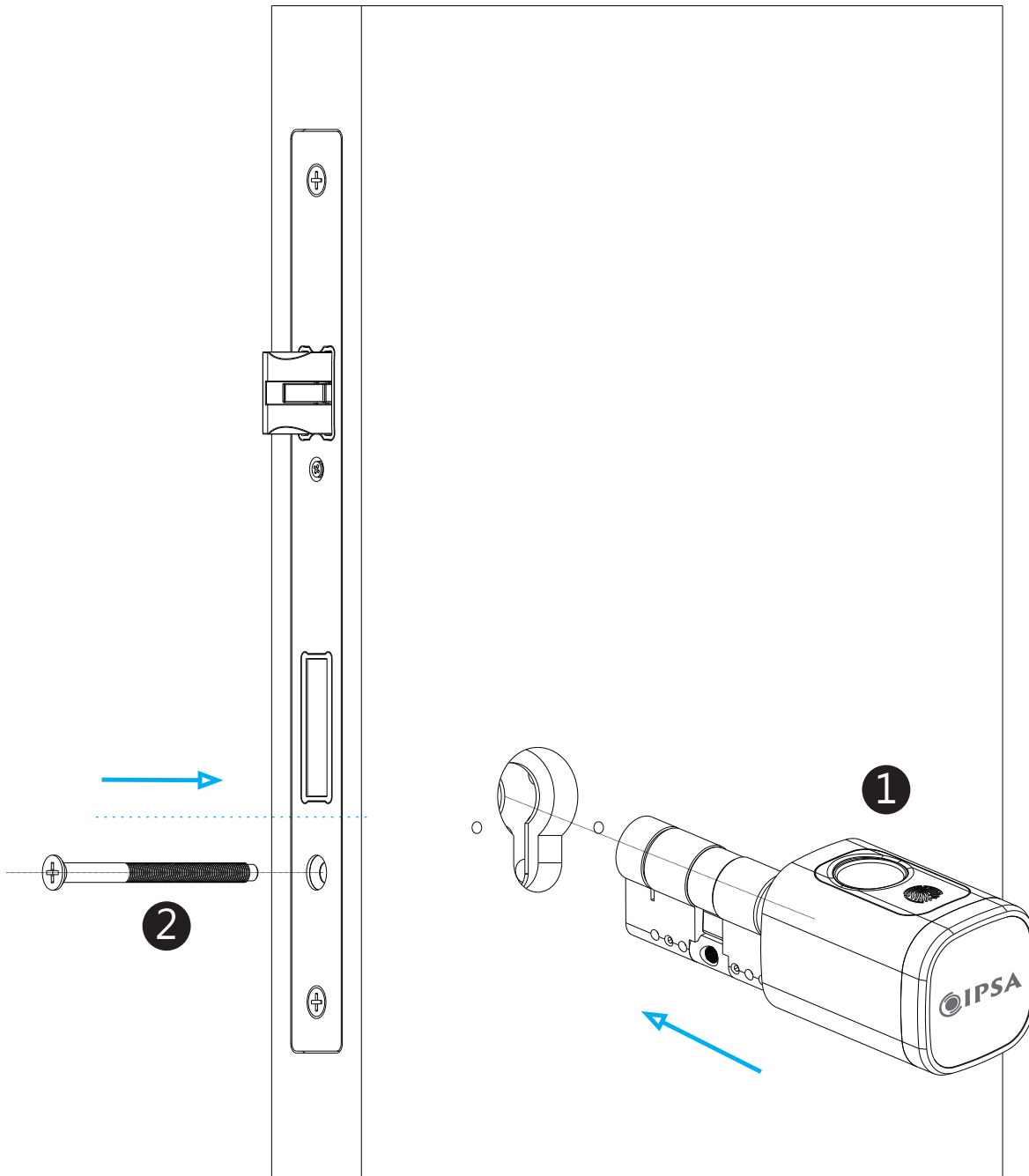
## 6 INSTALLATION STEPS

6.1 Please use the screw driver to take off the screw on the back knob position, refer the below Pic.1:



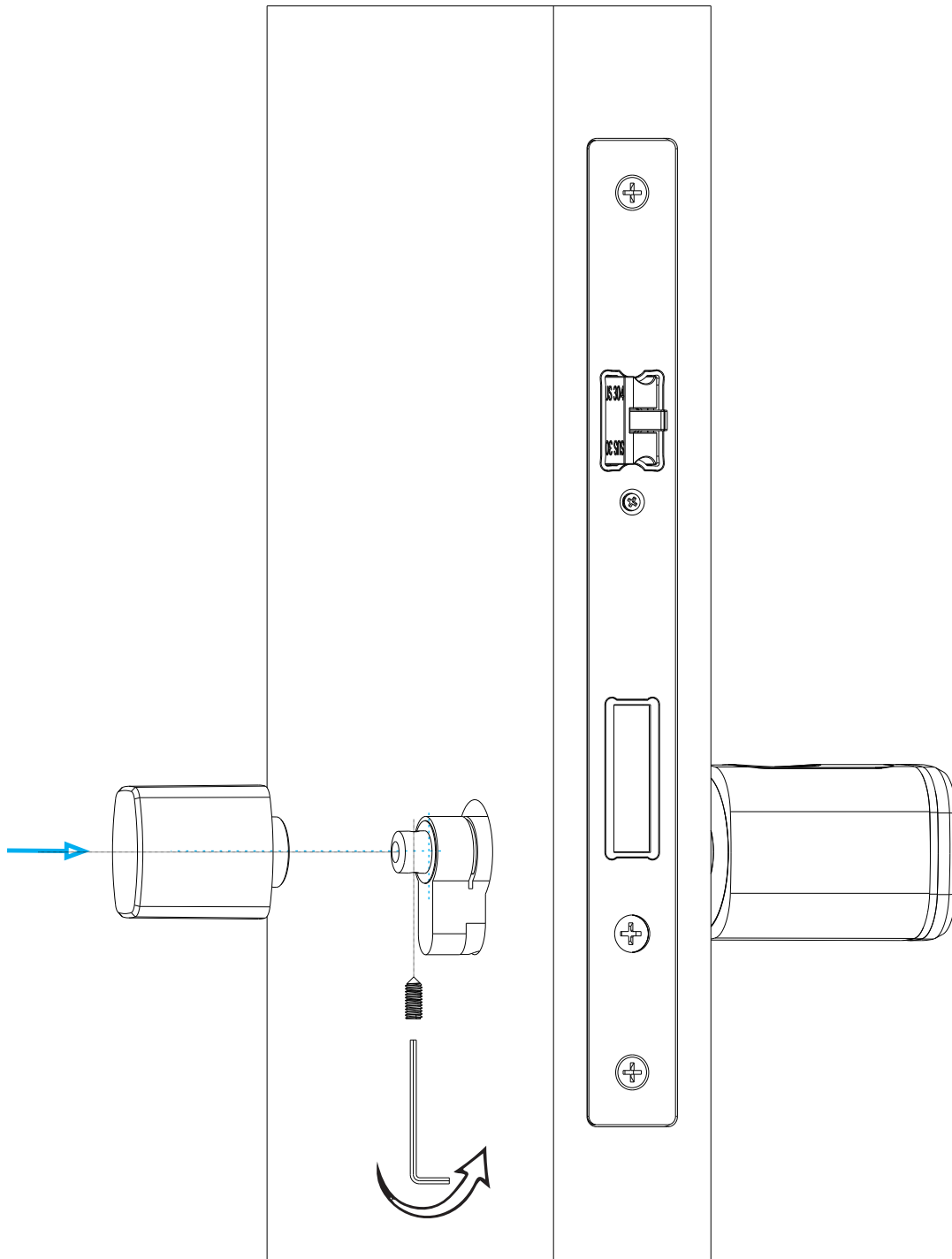
Pic.1

6.2 Please insert the cylinder to the existed lock and fix the cylinder with the long screw as picture 2.



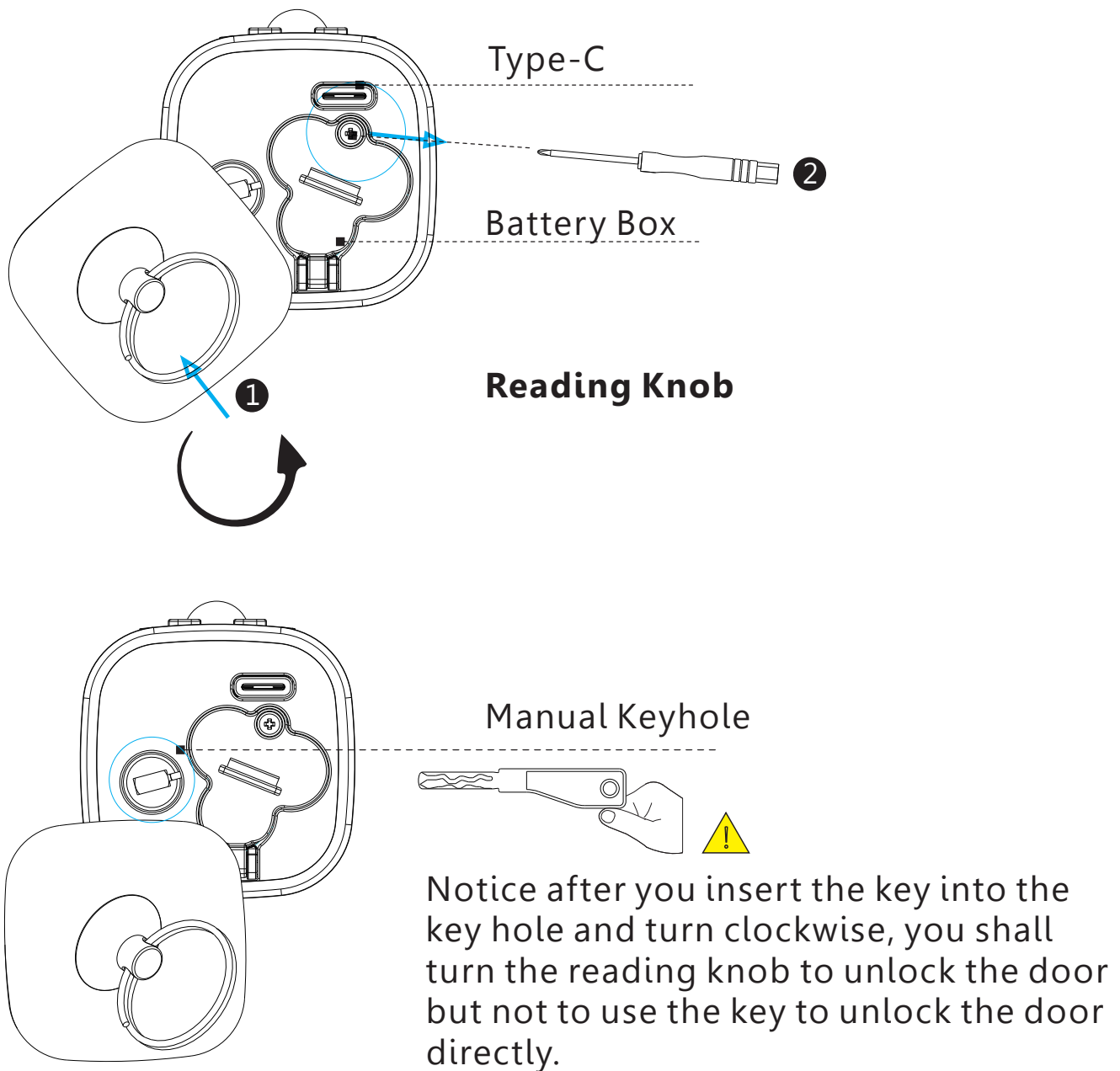
Pic.2

6.3 Please use the screw driver to fasten the screw on the back knob position, refer the below picture 3:



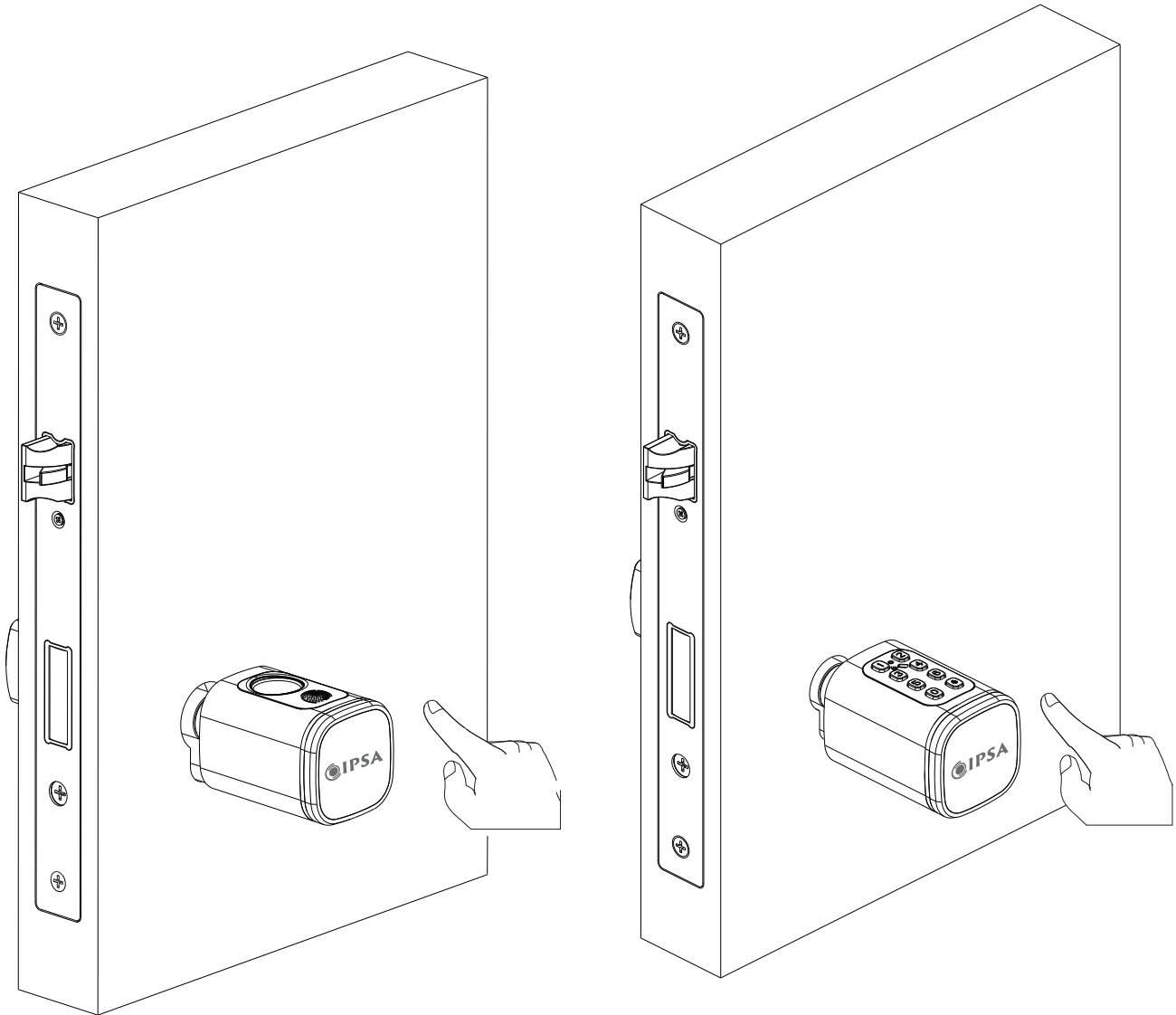
Pic.3

6.4 Please take off the reading knob cover with the magnet or sucker (included in our accessories bag), assemble 3xAAA battery, refer the below picture 4:



Pic.4

6.5 Please test with your fingerprint/password under the factory state, any fingerprint/password 123456# will unlock the door lock, refer to below picture 5:

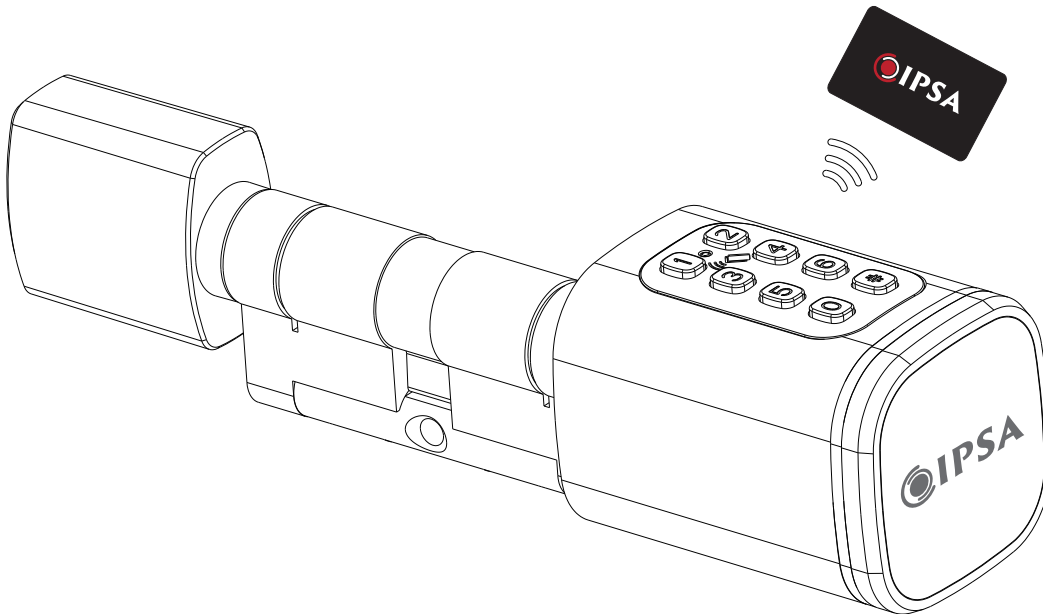


**Fingerprint settings**

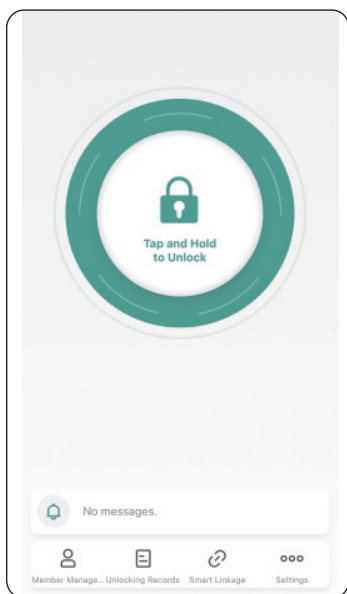
**Password settings**

Pic.5

6.6 Please test the lock with key card after you configure the lock with APP(Refer to Part 6).



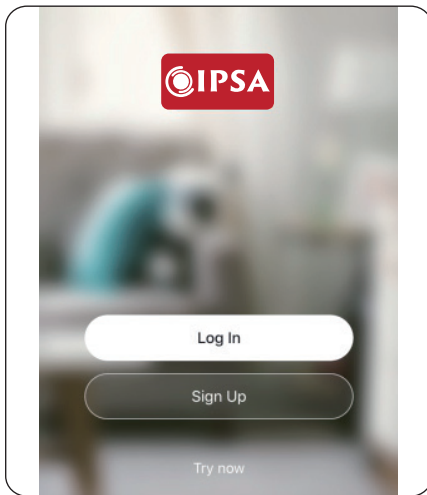
Notice the keycard or fingerprint can only be enrolled by the APP, so it is important to install this app in your mobile before starting daily use.



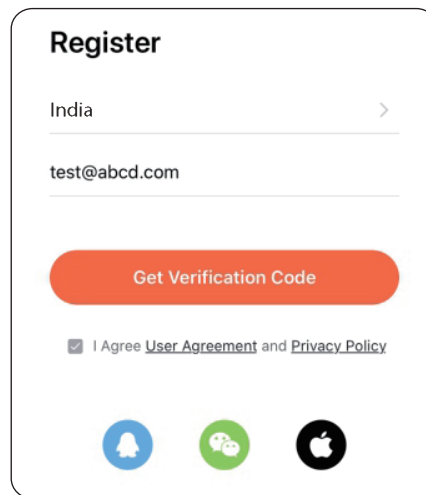
## 7. APP Settings

Please download on Apple store or Google play.

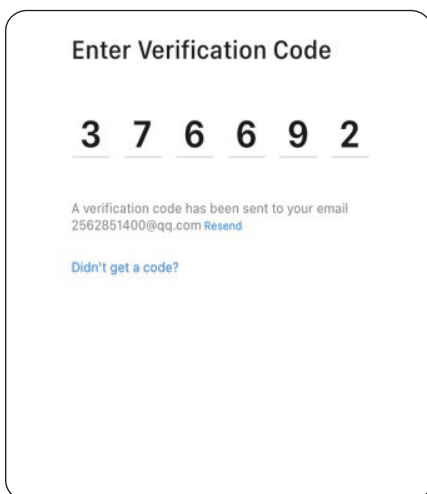
7.1 Please register one account with your E-mail or mobile number.



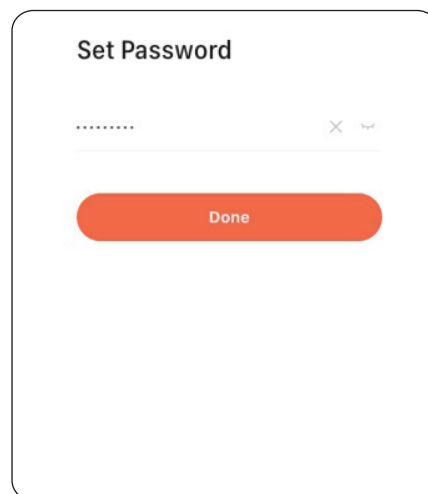
7.1.1 Sign Up



7.1.2 Enter mobile or mail  
Get Verification Code



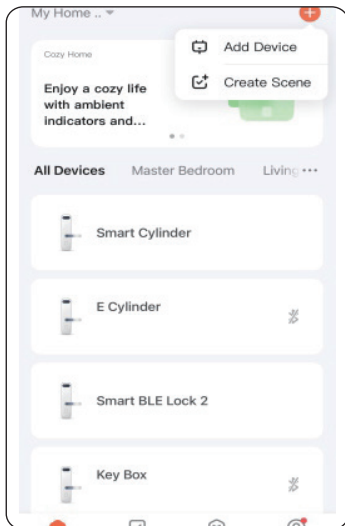
7.1.3 Enter the code sent  
to your mail or mobile



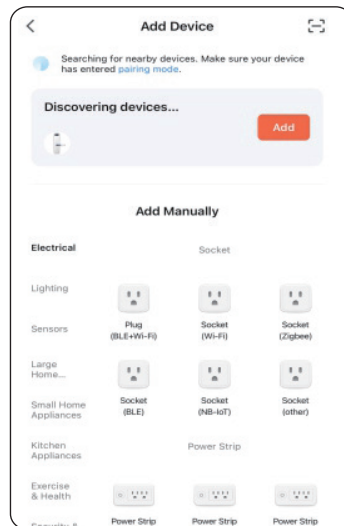
7.1.4 Set password and login

## 7.2 Intelligent Configuration

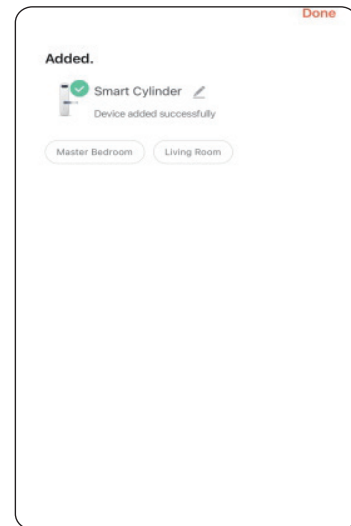
Please run APP and click "Add Device" on the top right position and meanwhile awake the lock cylinder, The phone will auto search the lock cylinder as below Step 2:



Step 1  
Add Device



Step 2  
Activate the lock Click "Add"



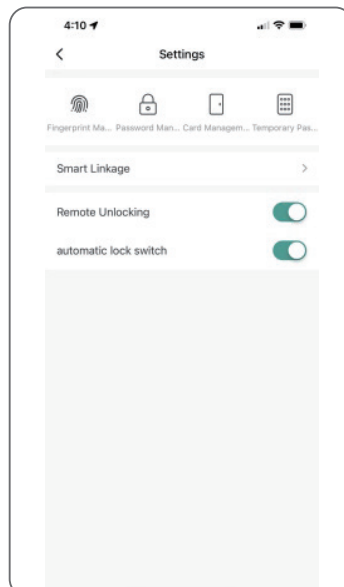
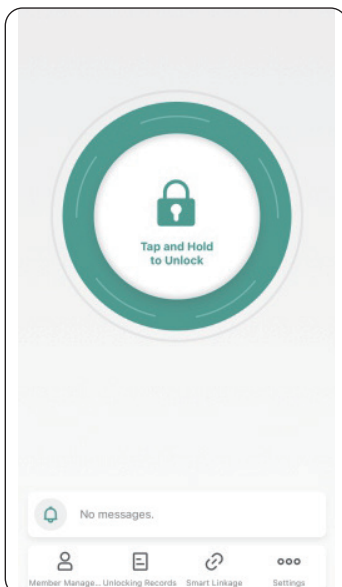
Step 3  
Done



**Note that You can also click menu "Camera & Lock" to find "Lock (BLE)" to add the lock cylinder.**

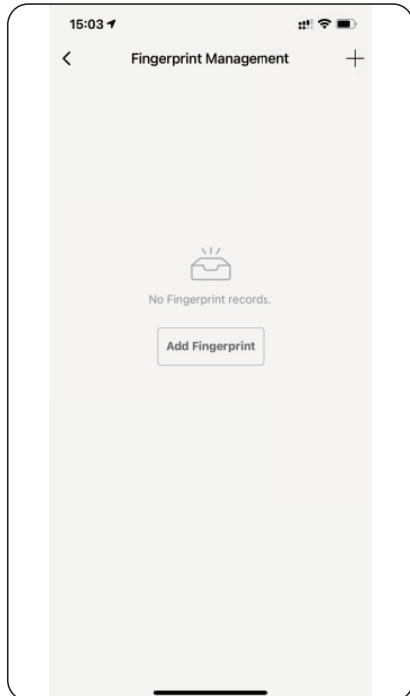
## 7.3 Function Description

Under APP interface, you can see the features for the smart locks, such as Member /unlock records and settings etc.

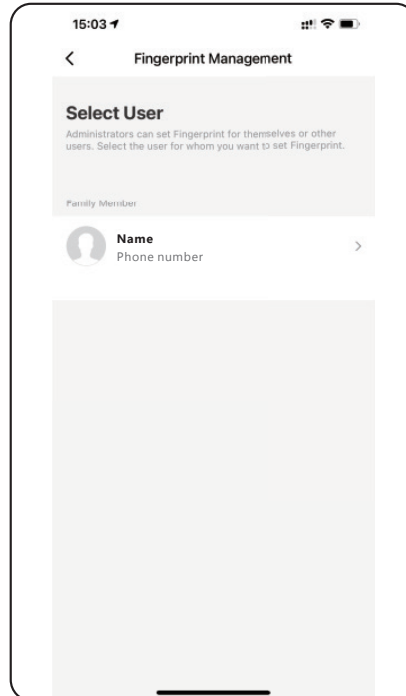


## 7.4 Add User Fingerprint

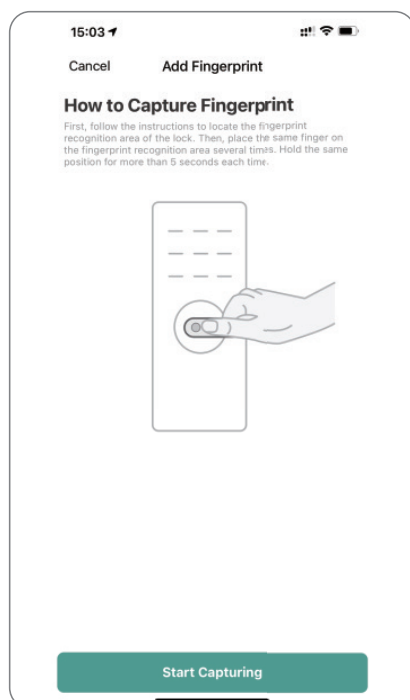
Under App setting, you can click the fingerprint management and add the fingerprint.



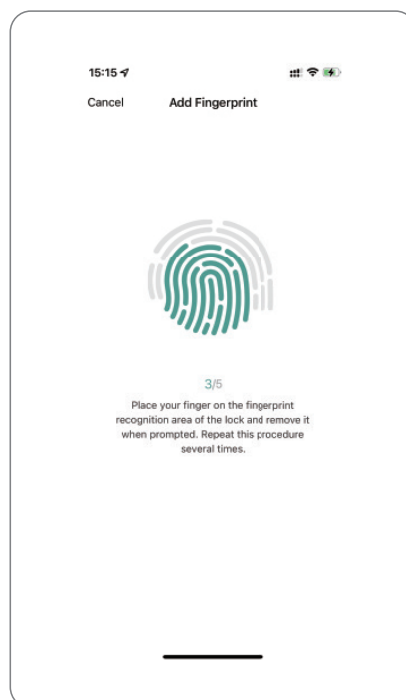
Step1:  
Click Add Fingerprint



Step2 Select User



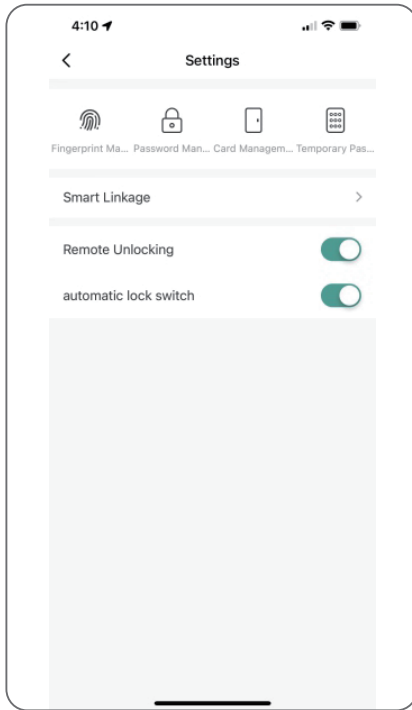
Step3:  
Start Capturing



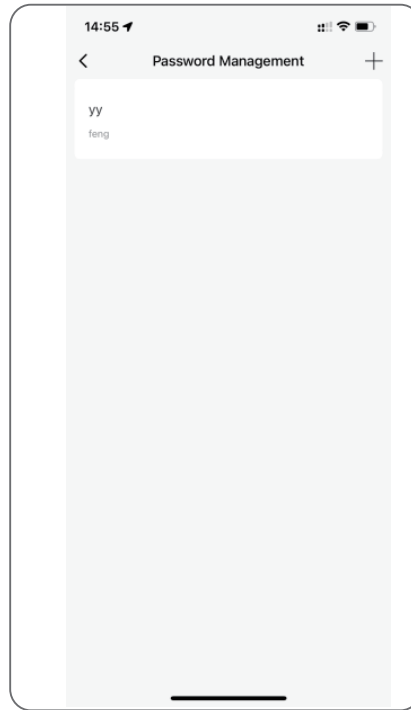
Step4:  
5 Times and done

## 7.5 Add User Password

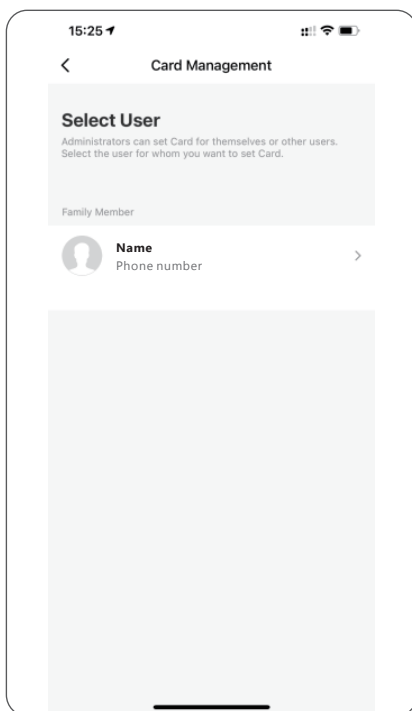
Under APP setting, you can click the password management and create the password.



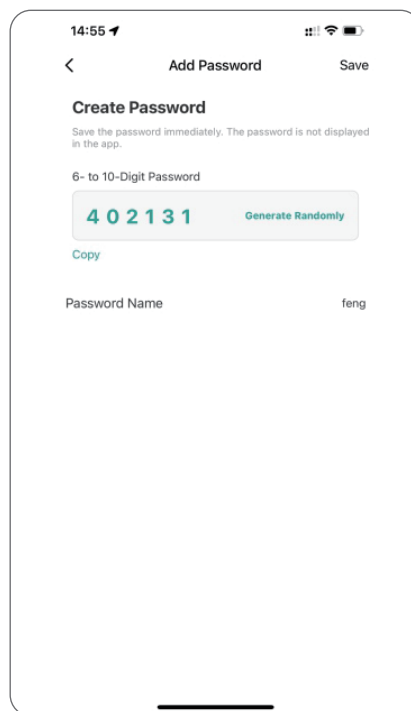
Step1:  
Click Password Management



Step2 Click "+"



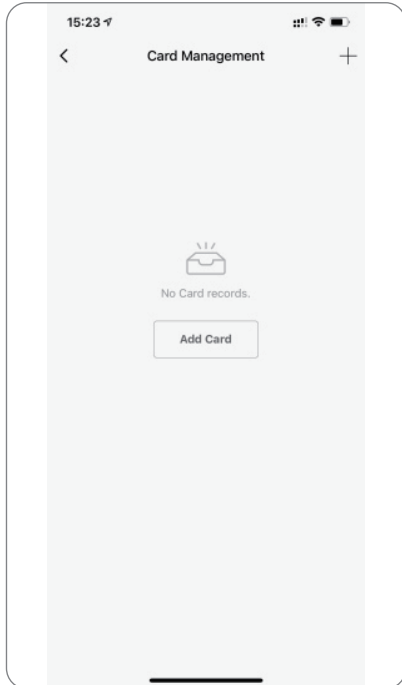
Step3:  
Select User



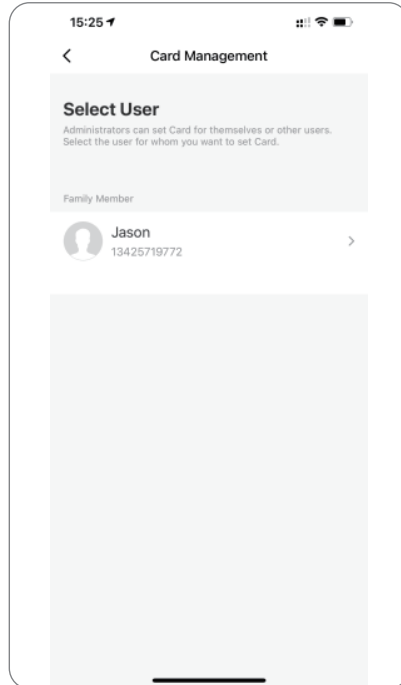
Step 4:  
Generate Randomly

## 7.6 Add User Card

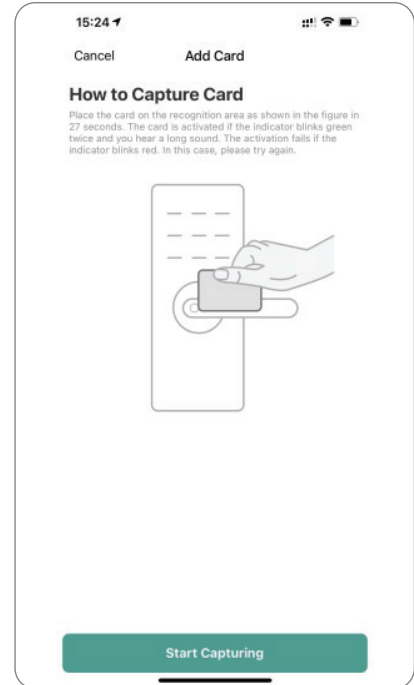
Under APP setting, please click the Card Management and issue the card.



Step1:  
Click Add Card



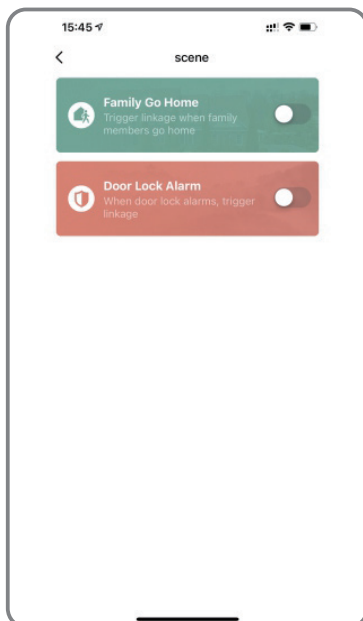
Step2:  
Select User



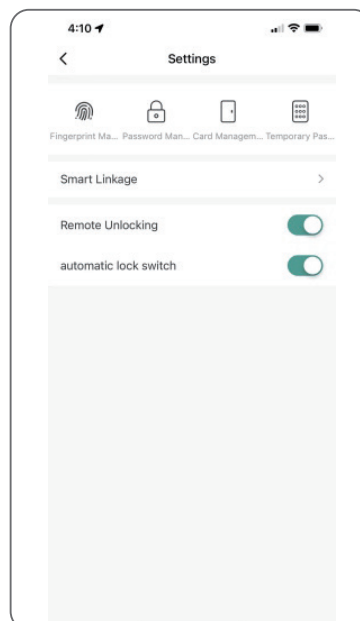
Step3:  
Tap Card on the lock induction area

## 7.7 Smart Linkage and Settings

Under the settings, you can click the smart linkage for more scene and more options for the features upon the using condition.



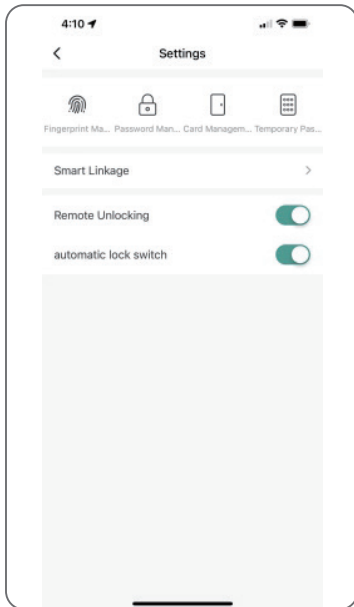
Step3:  
Select User



Step 4:  
Generate Randomly

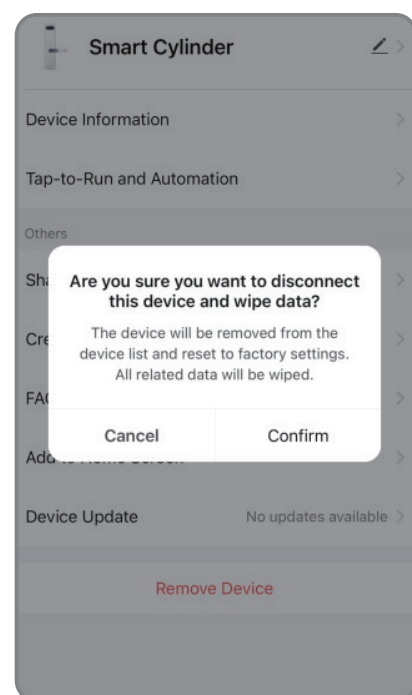
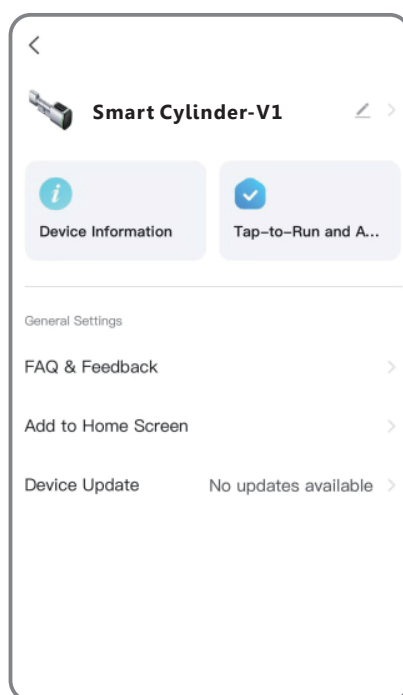
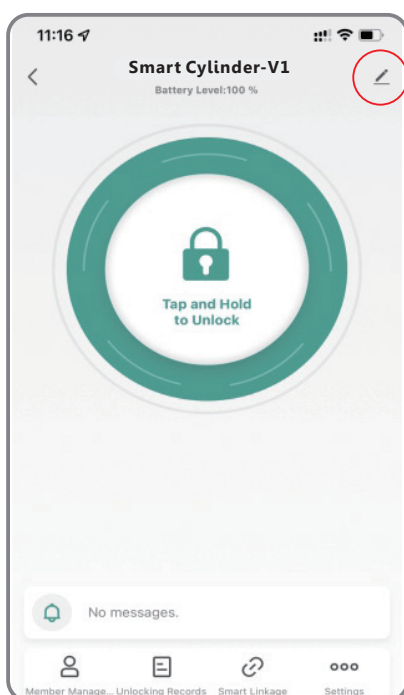
## 7.8 Passage Mode

Under APP setting, you can turn off "automatic lock switch" to get the lock cylinder under passage mode. Under passage mode you can unlock the lock cylinder by turning the knob without inputting any registered information. You can input any registered information to cancel the "Passage Mode".



## 8. Reset the Lock(3 Options)

Click top right as step 1 then click "Remove Device" to reset the lock by the following steps as below. The lock will be set to factory state under which any fingerprint or password (123456#) can unlock the lock cylinder.

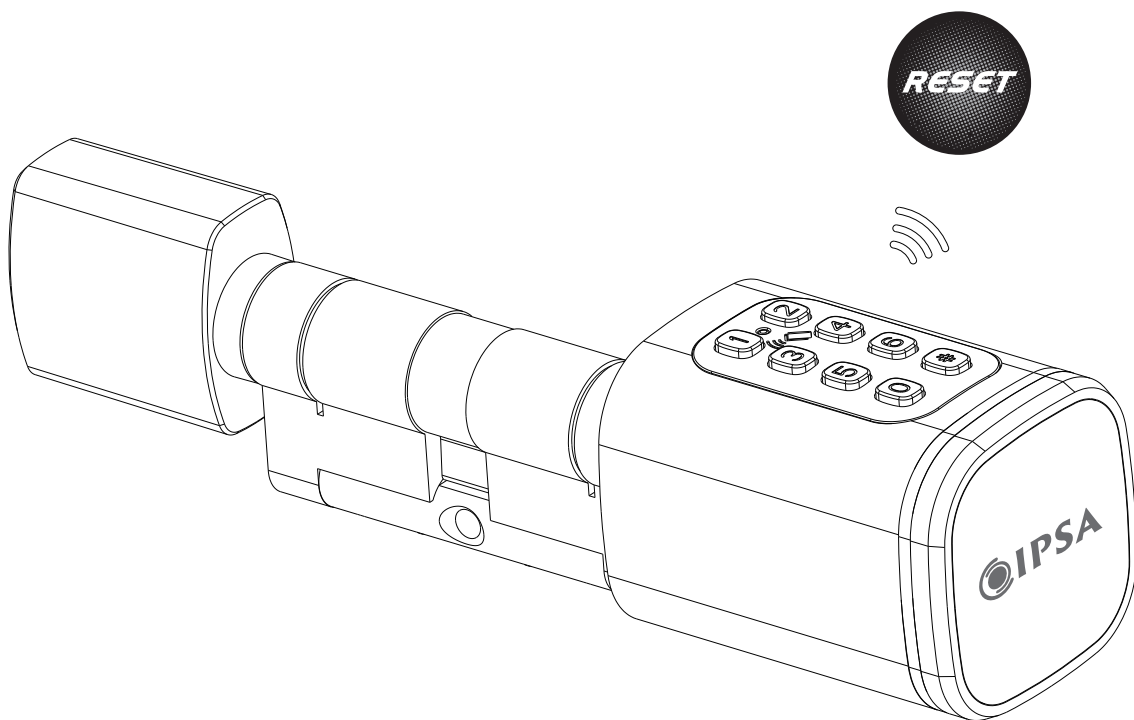


## 9. Reset Card

By swiping the reset card you can easily make the lock cylinder to be under factory status again. You can reconnect it with new user. It is highly recommended that the reset card is used only when you lose the top admin information or when the lock cylinder is mistakenly configured by other user.

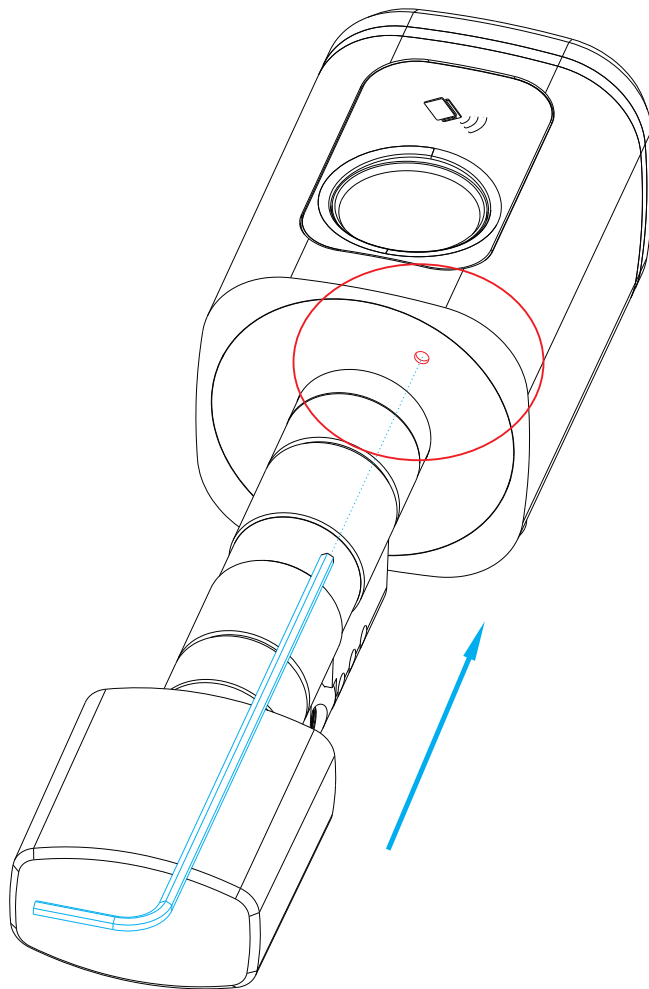
### 9. 1 Setting Steps:

Swipe the Reset Card to the induction area and there will be one long beep sound indicating the lock cylinder is successfully reset.



## 10. Hardware Reset the Lock

When there is issue to reset the lock from the APP, there is one way to reset the lock by hardware resetting to factory state, you can find one small hole on the rear side of reader, please cross the small tools into the hole and long press the reset button for 5 seconds, then there is sound tips for reset, when the operation is done, the lock will be under factory state, the other users can add the lock with his mobile APP.





For more support  
connect to our customer care team:

**IPSA BUSINESS INDIA PVT. LTD.**  
57/1/17-18, Site - 4, Industrial Area, Sahibabad, Ghaziabad,  
Uttar Pradesh - 201010 INDIA.

**Web :** [www.ipsaindia.com](http://www.ipsaindia.com)  
**E-mail :** [customercare@ipsaindia.com](mailto:customercare@ipsaindia.com)  
**Phone :** +91 85050 10101